

YLAA

Air Cooled Scroll Chiller with HFO (R454B)

Extended cooling capacities from 195 kW to 635 kW



Features

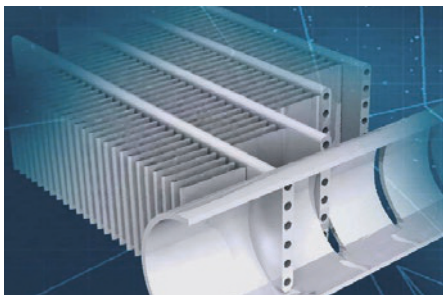
The **YORK YLAA TEMPO** air-cooled chiller is an environmental leader.

Utilising scroll type compressors and microchannel condenser coil technology the **YLAA** delivers premium efficiency for all air conditioning applications.

YLAA chillers are a self-contained cooling solution that is light-weight and compact for convenient installation on the ground or on building rooftops.

Options/Accessories

- Variable speed EC fans
- Hydrokits with fixed or variable speed pump (single or dual)
- Soft start
- Power factor correction capacitors
- Low ambient kit
- BMS interfacing options
- Dual pressure relief valves
- Victaulic coupling
- Flow switch
- Heat recovery option
- Enclosure options
- Sound attenuation options
- Anti-vibration mounts options
- Epoxy post-coated dipped microchannel coils

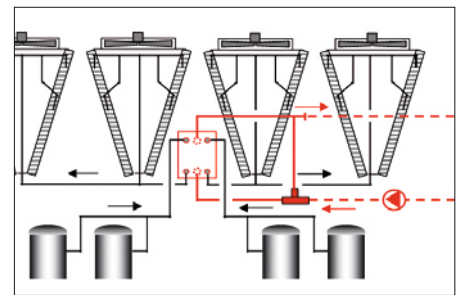


The TEMPO delivers energy efficiency levels that surpasses Ecodesign Tier 2 requirements. Aluminium microchannel condenser coil technology is one reason for this premium efficiencies.



Ultra quiet operation and outstanding part load efficiency can be obtained through variable speed EC fans and a compressor acoustic blankets.

A single point power connection and optional, factory packaged water pumps, water filter and flow switch provide fast and easy installation.



An optional heat recovery feature can be added to provide hot water to 60°C; which is useful for facility heating or hot water preheating.

Air-cooled scroll compressor chiller

YLAA 0195 to 0640



Nominal capacity

YLAA	0195*	0221	0262	0286	0301	0350	0392	0442	0457	0517	0580	0640
Cooling capacity (kW)	195.4	211.3	246.5	275.00	298.8	347.9	376.8	432.8	462.1	531	572.9	635
EER	3.17	3.38	3.24	2.79	3.17	3.06	3.10	3.05	3.05	3.1	3.2	3.17
SEER	4.48	4.9	4.62	4.49	4.82	4.78	4.78	4.89	5.04	5.12	5.25	5.31
ηs, c	176.1	192.9	181.6	176.7	189.7	188.1	188.4	192.5	198.6	201.7	207.1	209.4
Sound power level dB(A)	91.0	84	86	87.0	88	89.0	89.0	90.0	90	90	91	95

Net values at Eurovent nominal conditions:

Cooling capacities in kW given for 7°C water leaving temperature Δt 5°C and 35°C ambient temperature.

Ecodesign figures are calculated following variable water and variable outlet approach (VW/VO). For other Ecodesign calculations, please contact your JCI representative.

() All models with R454B refrigerant using EC fans (except size 0195) and Compressor Sound Blankets.

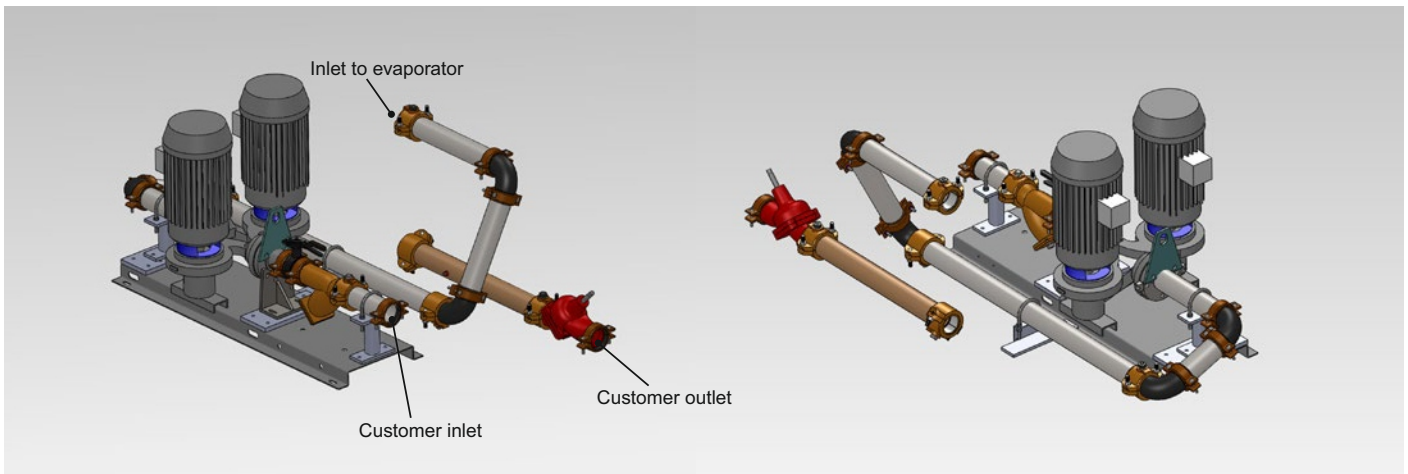
The above data is based on Johnson Controls' selection software YORKworks 21.04a. Please refer to the latest version of the software for specific projects.

Technical data

YLAA			0195	0221	0262	0286	0301	0350	0392	0442	0457	0517	0580	0640
Dimensions	Length	mm	2911				3690			4807		5880	7000	
	Width	mm	2242				2254			2258				
	Height	mm	2508				2541							
Operating weight kg			1706	1721	1852	1853	2170	2339	2508	3343	3481	3615	4252	4474

YLAA Pump Kit

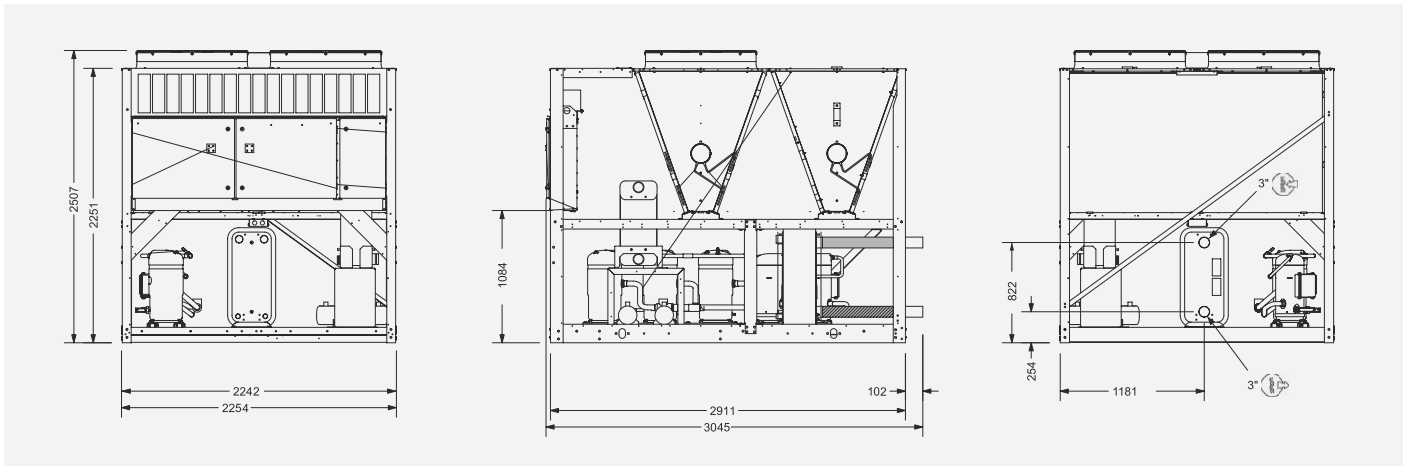
- Fixed or VSD water pump
- Single or Dual water pump
- Two option levels - basic and full featured - for maximum flexibility
- More impeller size options for better match to customer requirements
- New, smaller pump motors suitable for primary-secondary systems



Manufacturer reserves the rights to change specifications without prior notice.

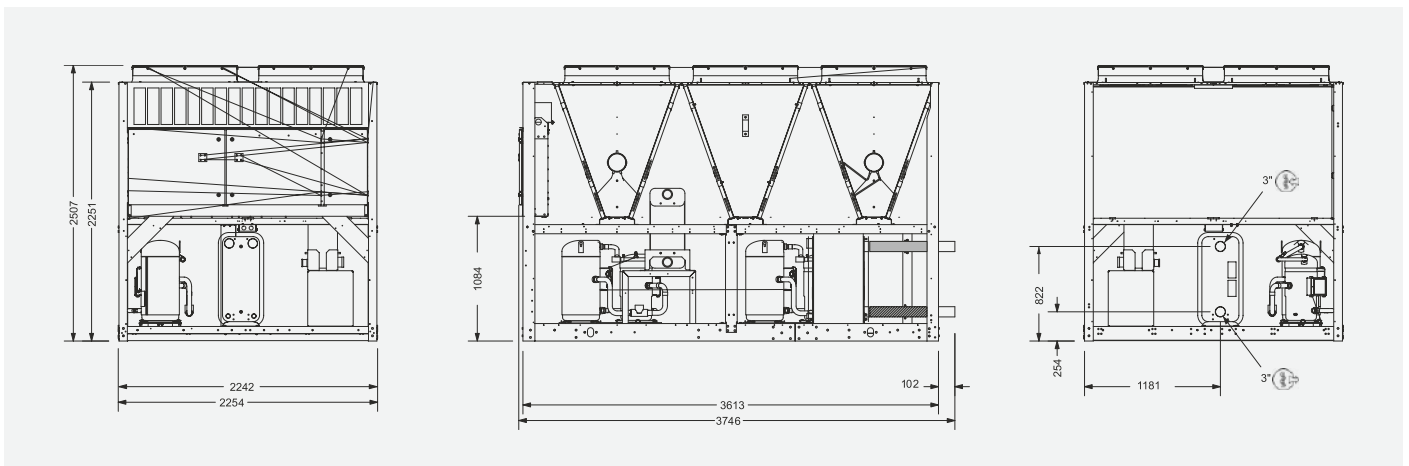
Dimensions and hydraulic connections

YLAA 0195, 0221 and 0262



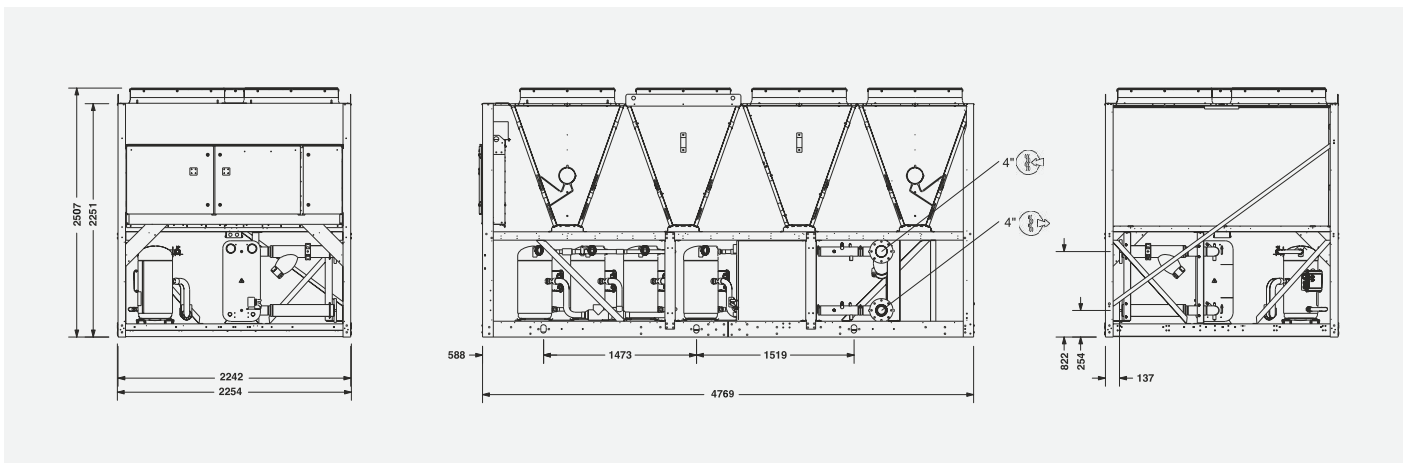
All dimensions in mm. Drawings not in scale.

YLAA 0301 and 0392



All dimensions in mm. Drawings not in scale.

YLAA 0442

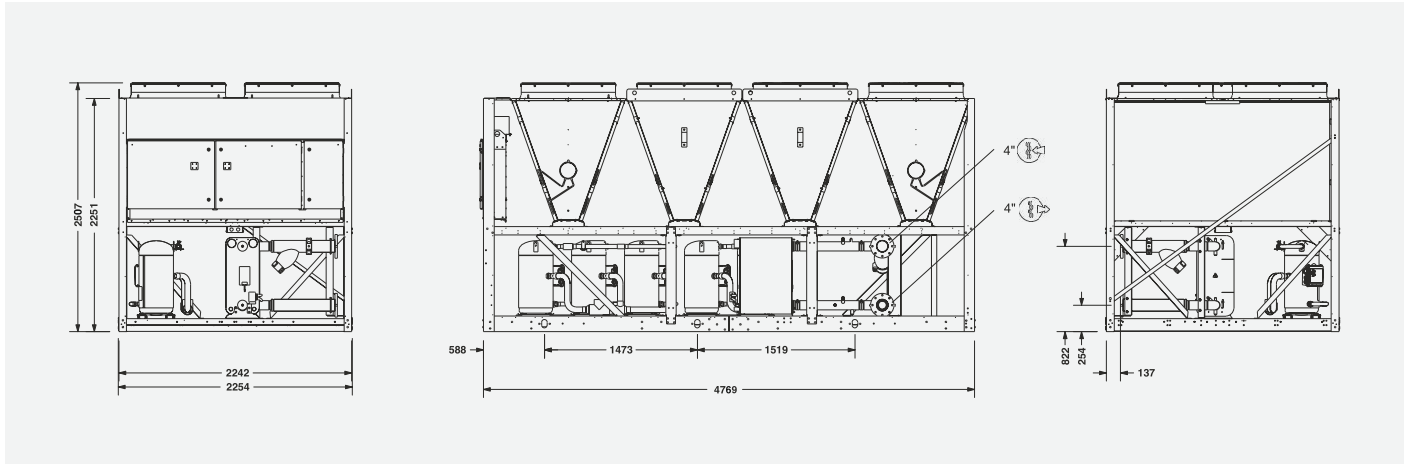


All dimensions in mm. Drawings not in scale.

YLAA 0195 to 0640

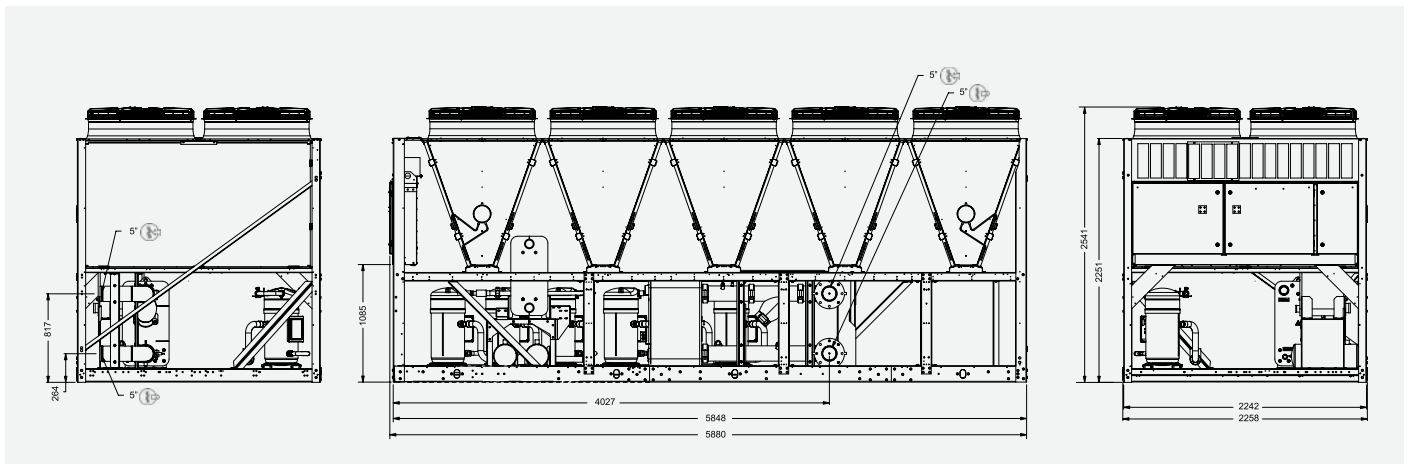


YLAA 0457 and 0517



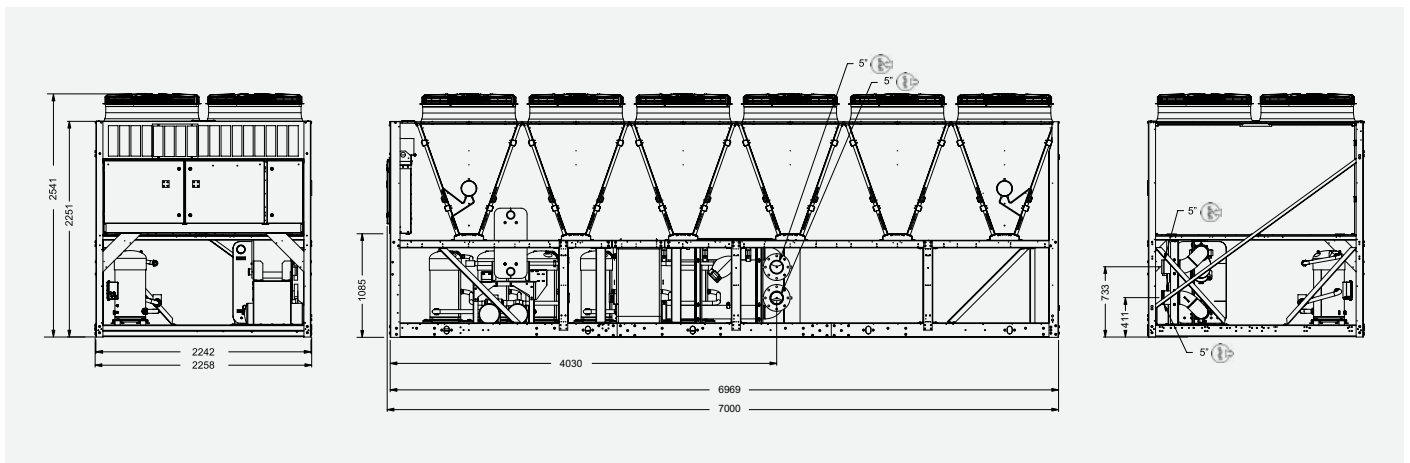
All dimensions in mm. Drawings not in scale.

YLAA 0580



All dimensions in mm. Drawings not in scale.

YLAA 0640



All dimensions in mm. Drawings not in scale.