



R156



R156-1

Description

The R156 or R156-1 thermostatic mixing valve is installed on sanitary systems in order to achieve energy saving, greater comfort of use of hot water, elimination of the risk of burns caused by excessive operating temperatures.

It can be positioned in the boiler room on the rising pipes of sanitary hot water, nearby boiler or storage boilers, or in the distribution boxes in case of removable sanitary systems with manifolds.

It is very important to install the mixing valve on the downstream to storage tanks in solar heating systems installations where the temperature of the storage tanks, especially in summer, could reach very high values, well above the temperatures to ordinary use.

The wax bulb, immersed in the mixed flow, assisted by a balanced spring system, can ensure the maintenance of the required mixed temperature value, with rapid shifts of few millimeter tenths effected depending on the temperature change of the hot and cold supply waters.

Regulation

The R156 and R156-1 thermostatic mixing valve with five setting positions allow to set the mixed temperature in the range of 38-60°C.

As stated in the table, each value of the numbering corresponds to a reference temperature.

For intermediate positions to the numbering values, you have mixing temperatures differentiated of about 1°C.

The setting adjustment of the mixing valve is carried out by lifting the handwheel and turning it until it reaches the desired numbering and then repositioning it in the grooves present at the top of the body.

Handwheel position	Mixing temperature [°C]
1	38
2	43,5
3	49
4	54,5
5	60

Versions and product codes

Series	Product code	Connection
R156	R156X004	3/4"F
	R156X004	1"F
R156-1	R156X024	3/4"M
	R156X025	1"M

Technical data

- Max. working temperature: 100 °C
- Max. working pressure: 16 bar
- Temperature regulation range: 38÷60 °C
- Adjustment scale subdivision: 1 °C
- Adjustment accuracy: ±1 °C
- Handle with mechanical position stop
- Complies with A.S.E.1017

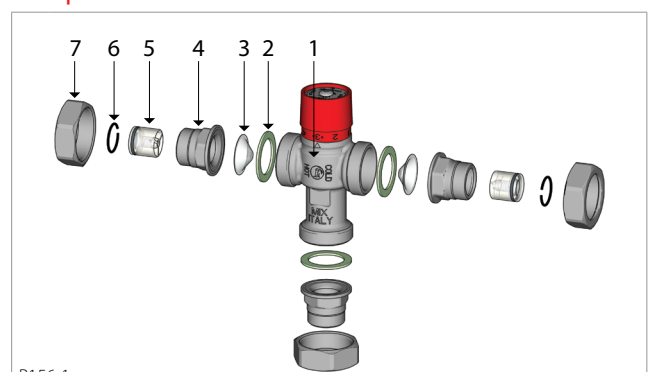
Kv

- R156X004: 2,0
- R156X004: 2,2
- R156X024: 1,8
- R156X025: 2,0

Materials

- Body: Forged brass, chromed
- Inner springs: stainless steel
- Thermostatic bulb: wax
- O-rings: Ethylene Propylene
- Handwheel: high resistance plastic

Components



R156-1

Legend			
1	Body	5	Check valve (only for R156-1)
2	Gasket (only for R156-1)	6	Elastic ring (only for R156-1)
3	Filter (only for R156-1)	7	Nut (only for R156-1)
4	Tail piece (only for R156-1)		

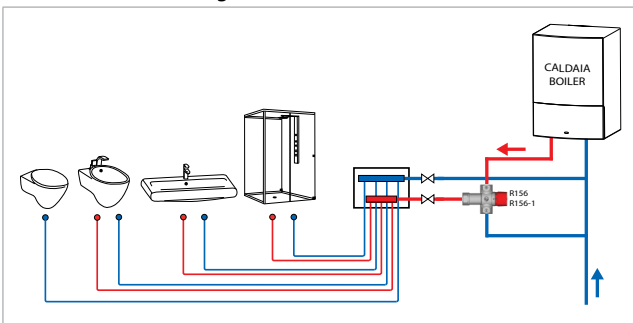
Installation

For a correct operation the mixing valve it is essential to follow the directions of connections shown on the product body.

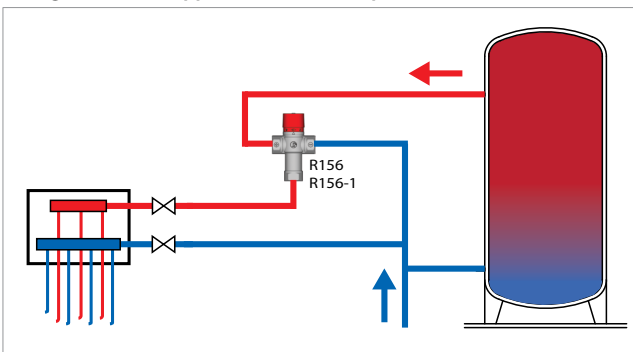
The connection marked by the sign **+** must be connected to the hot water, while the connection under the sign **-** must be connected to the cold water. The third way is marked by the word **MIX** and it is an outlet for mixed water for sanitary use. The correct operation of the thermostatic mixing valve R156 can be assured if the temperature of cold and hot water supply are respectively lower and higher than the mixed water temperature.

In order to avoid locks of mechanisms or loss of precision it is strongly advised to install on the sanitary system filters capable of removing impurities and sand carried by water. When inspecting or cleaning the system it is necessary to stop the mixing valve and pipe fittings in three pieces, or at least disassemble the connections.

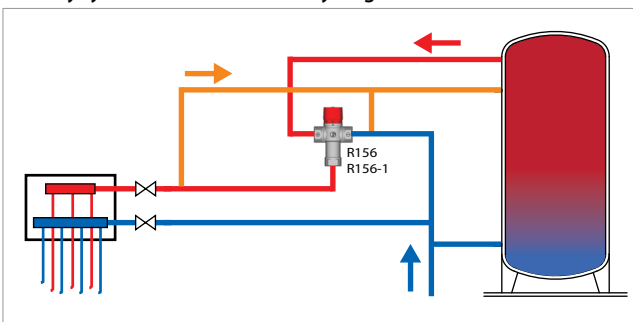
Boilers and heat exchangers



Storage boilers for application with solar panels, electric water heaters

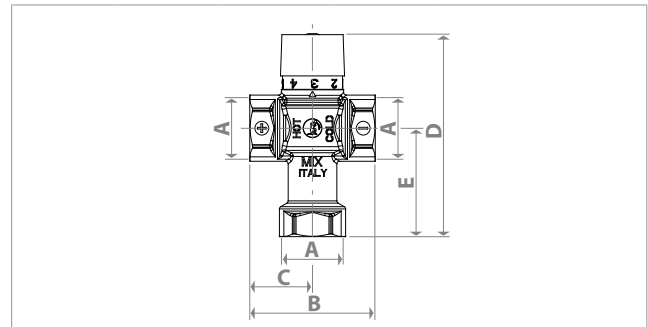


Sanitary systems with hot water recycling



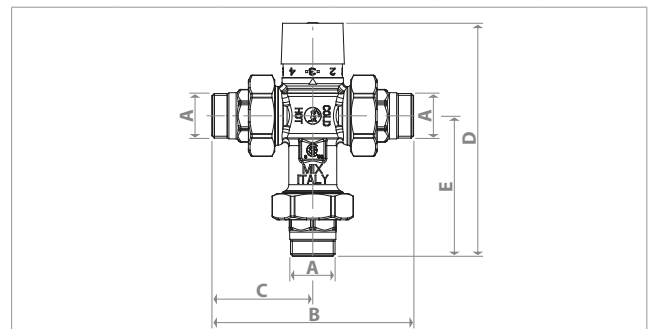
Dimensions

R156



Code	A	B [mm]	C [mm]	D [mm]	E [mm]
R156X004	3/4"F	73	36,5	118	63
R156X005	1"F	73	36,5	118	63

R156-1



Code	A	B [mm]	C [mm]	D [mm]	E [mm]
R156X024	3/4"M	120	60	138	83
R156X025	1"M	128	64	143	88

Additional information

For additional information please check the website www.giacomini.com or contact the technical service: ☎ +39 0322 923372 📠 +39 0322 923255 ✉ consulenza.prodotti@giacomini.com
 This pamphlet is merely for information purposes. Giacomini S.p.A. retains the right to make modifications for technical or commercial reasons, without prior notice, to the items described in this pamphlet. The information described in this technical pamphlet does not exempt the user from following carefully the existing regulations and norms on good workmanship.
 Giacomini S.p.A. Via per Alzo, 39 - 28017 San Maurizio d'Opaglio (NO) Italy